

6

5

4

3

2

1

D

D

C

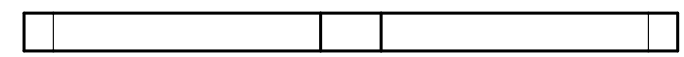
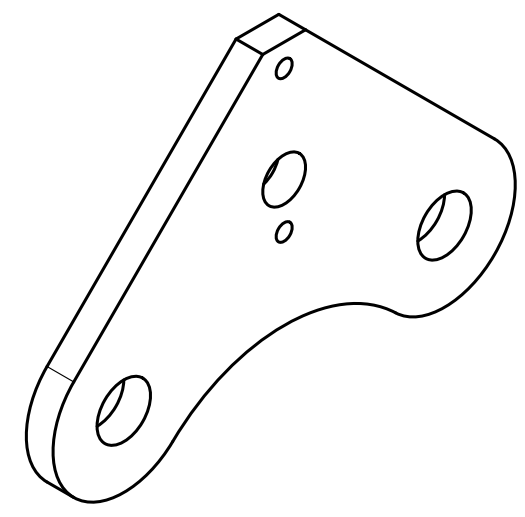
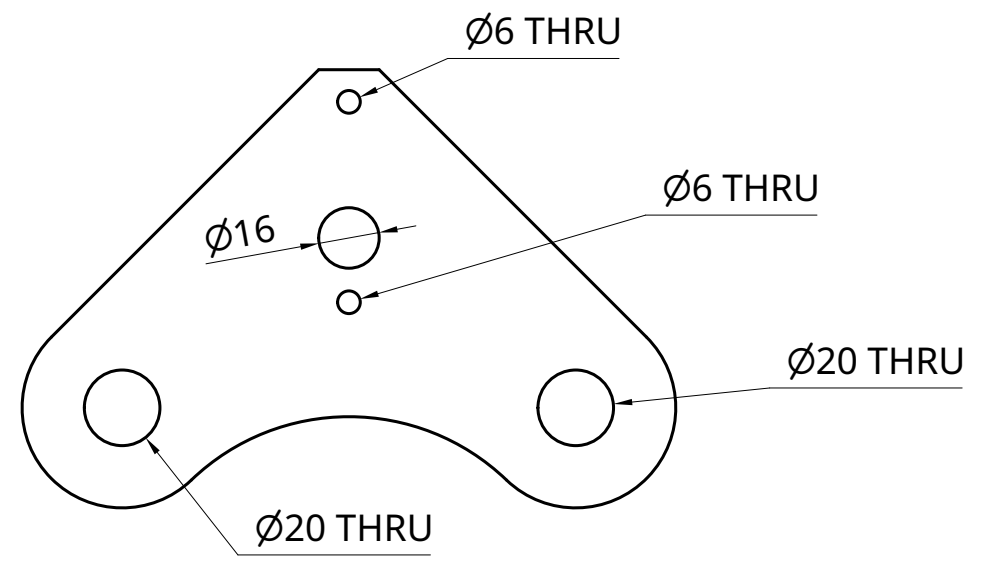
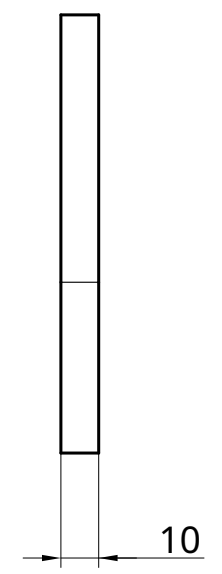
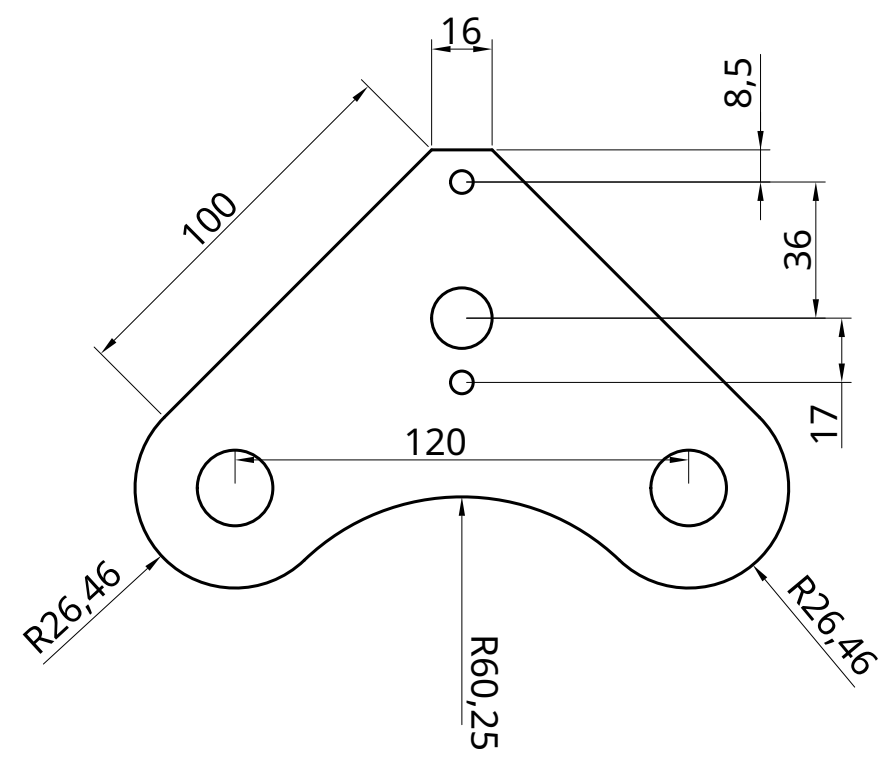
C

B

B

A

A



UNLESS OTHERWISE SPECIFIED,
DIMENSIONS ARE IN MILLIMETERS

ANGULAR = ± °

SURFACE FINISH

DO NOT SCALE DRAWING

BREAK ALL SHARP EDGES AND REMOVE BURRS

FIRST ANGLE PROJECTION

TITLE		Laufrollen-Schwinge	
		Stand: 2019-02-27	
SIZE	DWG NO.	REV.	
A3	41001		
SCALE	WEIGHT	SHEET	
1:2		1 of 1	

6

5

4

3

2

1