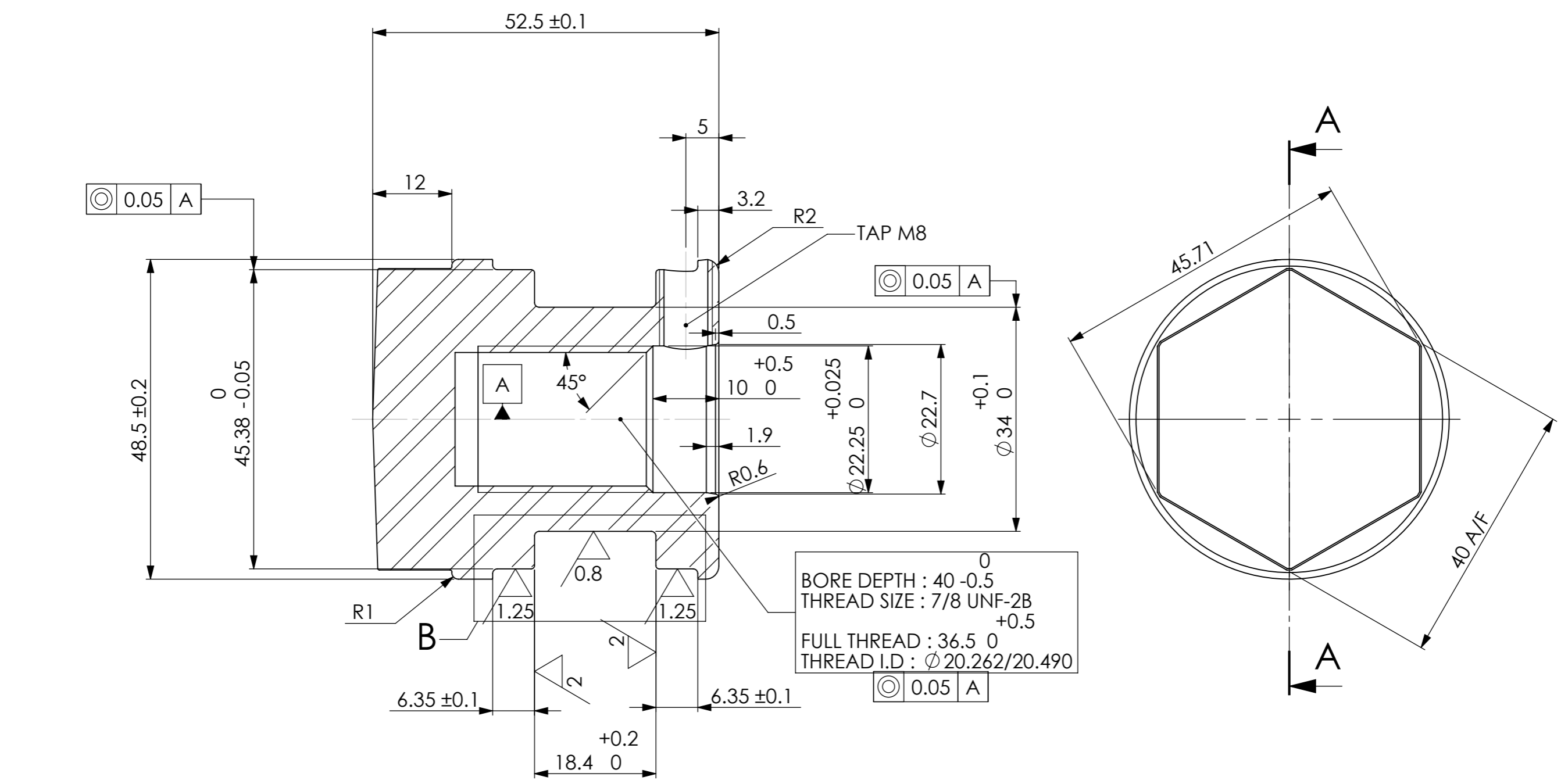


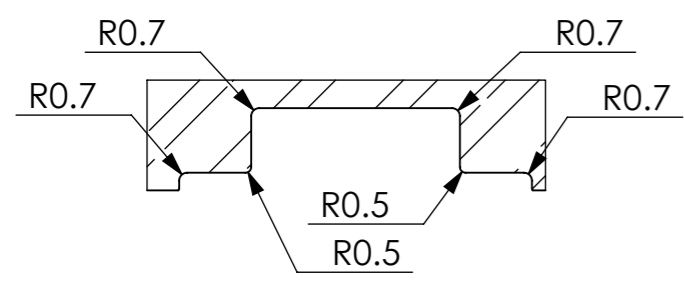
DRAWN ON C.A.D, NO MANUAL CHANGES ALLOWED WITHOUT DESIGN DEPT AUTHORISATION



BORE DEPTH : 40 -0.5
 THREAD SIZE : 7/8 UNF-2B
 FULL THREAD : 36.5 0
 THREAD I.D : ϕ 20.262/20.490

SECTION A-A

FIRST ANGLE PROJECTION USED



DETAIL -B-

| | |
|---|---|
| 1 | REMOVE ALL SHARP CORNERS, LEAVE R0.25 TO ALL CORNERS UNLESS NOTED OTHERWISE |
| 2 | 3.75um MAX ROUGHNESS UNLESS OTHERWISE NOTED SURFACE FINISH SHOWN IN Um |

DRG. NOTES TOLERANCES TO DIN7168(m) UNLESS STATED

| | |
|------------|-----------|
| MATERIAL | 2" BAR FC |
| MAT ART NO | R20A |

| | | | |
|-------|--------------------------|----------|----|
| | | | |
| B | MATERIAL WAS H20 CASTING | 17/05/12 | PM |
| A | UPDATED FROM CHART PH-02 | 17/12/01 | PM |
| ISSUE | MODIFICATION | DATE | BY |