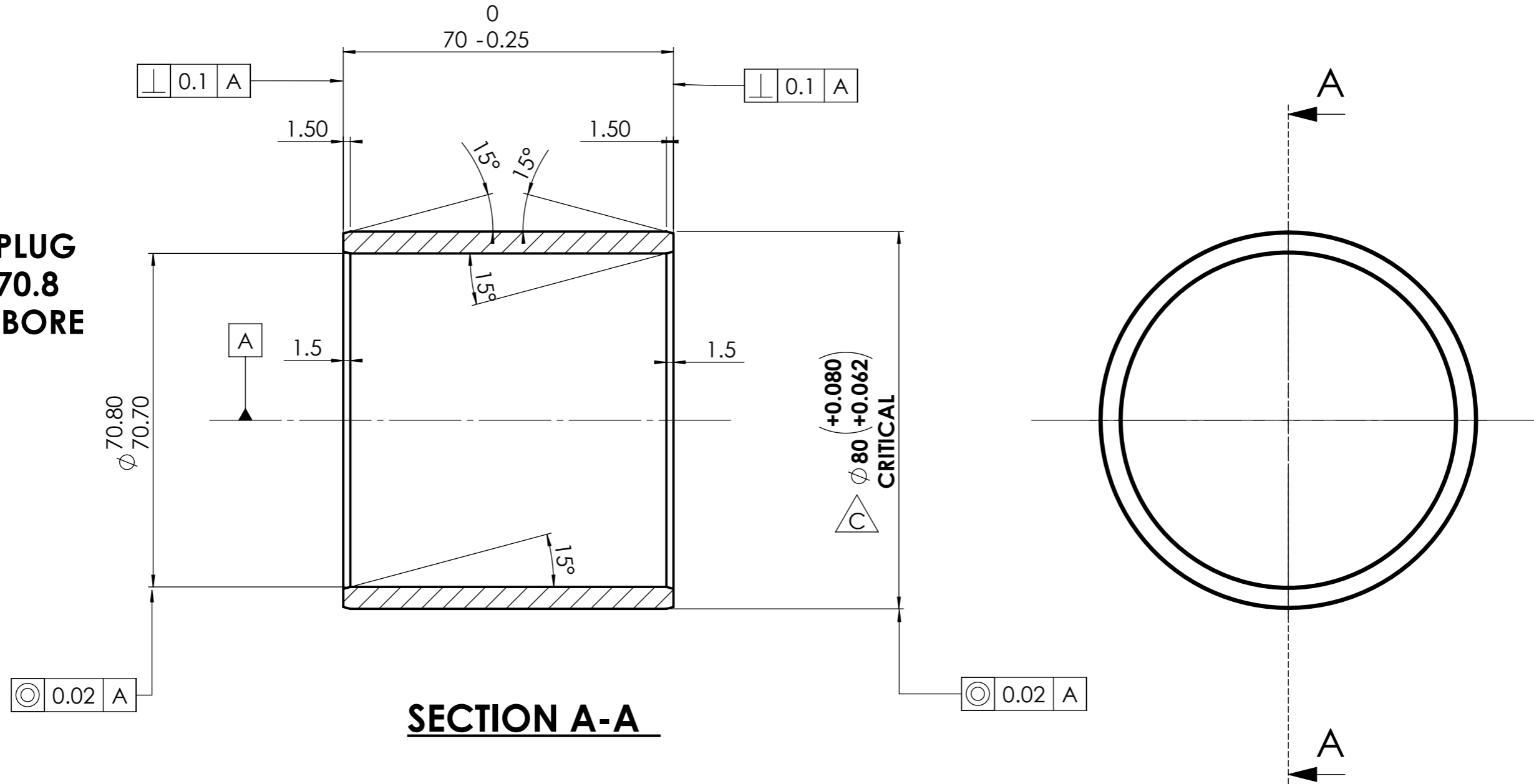


DRAWN ON C.A.D, NO MANUAL CHANGES ALLOWED WITHOUT DESIGN DEPT AUTHORISATION

**USE PLAIN PLUG
Ø 70.7 / Ø 70.8
TO CHECK BORE**



SECTION A-A

FIRST ANGLE PROJECTION USED

1	REMOVE ALL SHARP CORNERS, LEAVE R0.25 TO ALL CORNERS UNLESS NOTED OTHERWISE
2	3.75Um MAX ROUGHNESS UNLESS OTHERWISE NOTED SURFACE FINISH SHOWN IN Um
DRG. NOTES TOLERANCES TO DIN7168(m) UNLESS STATED	

MATERIAL 68 X 81
PHOSPHOR BRONZE
MAT ART NO
TC068081A

C	BUSH OD WAS 80r6	14/06/11	PB
B	MATL WAS TC070090A	03/09/10	JM
A	Ø 70.70/70.8 REF: GB WAS Ø 70.20/70.40	04/03/03	JM
ISSUE	MODIFICATION	DATE	BY